

PART 1. GETTING TO KNOW THE PRINTER 1

1. ABOUT THE BZB PRINTER.....	1
1-1. INTRODUCTION.....	1
1-2. ABOUT THE BZB LABELING SOFTWARE	1
1-3. ABOUT THE BZB WINDOWS DRIVERS.....	1
1-4. CONTENTS OF THE BZB PACKAGE	2
1-5. BZB PRINTER PARTS.....	2
2. SETTING UP THE BZB PRINTER	3
2-1. CONNECTING THE PRINTER TO A POWER OUTLET.....	3
2-2. CONNECTING THE PRINTER TO A PC	3
2-3. LOADING THE BZB PRINTER WITH LABELS.....	3
2-4. TESTING THE BZB PRINTER.....	5
3. MAINTENANCE AND ADJUSTMENTS	6
3-1. HOW TO REMOVE THE BZB TOP COVER.....	6
3-2. HOW TO CLEAN THE BZB PRINTER HEAD.....	6
3-3. HOW TO CLEAR A LABEL JAM IN THE BZB PRINTER	6
3-4. LABEL GAP SENSOR ADJUSTMENT FOR THE BZB PRINTER	7
APPENDIX A. TROUBLESHOOTING.....	8
APPENDIX B. BZB TECHNICAL SPECIFICATION	9
APPENDIX C. BZB PARALLEL PORT SPECIFICATION	9

Part 1. Getting to Know the Printer

1. About the BZB Printer

1-1. Introduction

The BZB label printer is available in two models BZB-2 and BZB-4 the only difference between the two models is the print width. This compact printer will enable you to automate a lot of tasks currently handwritten saving time and giving a more professional image.

The BZB is the easiest way to produce high quality labels for a wide variety of applications, the printer works with direct thermal labels eliminating the need for costly ink, toner and ribbons.

With the power full BZB software provided with every printer you can easily produce the following:

Address Labels

Barcode Labels

Diskette Labels

File Labels

Shelf Labels

Shipping Labels

..... and many more.

1-2. About the BZB labeling Software

Every BZB label printer is supplied with fully featured labeling software for windows 95, 98 and NT. Features include the following:

- Windows software
 - Easy to use no programming experience required
 - True WYSIWYG (What you see is what you get)
 - Sequential Numbering
 - Bar codes supported: EAN 8 (add on 2 of 5), EAN13 (add on 2 of 5), Code 39, Code93, Codabar, Code 128, EAN 128, UPC A, UPC E Interleaved 2 of 5.
 - 2 Dimensional Bar Codes supported: PDF 417, Maxicode.
 - Variable data, Prompt at print time
 - Import information from a Database using ODBC link
- Adjust print darkness from the software.

1-3. About the BZB Windows drivers

A complete set of windows drivers for windows 3.1,95,98 and NT 4.01

The BZB drives will help you to print from your existing Windows applications.

1-4. Contents of the BZB Package

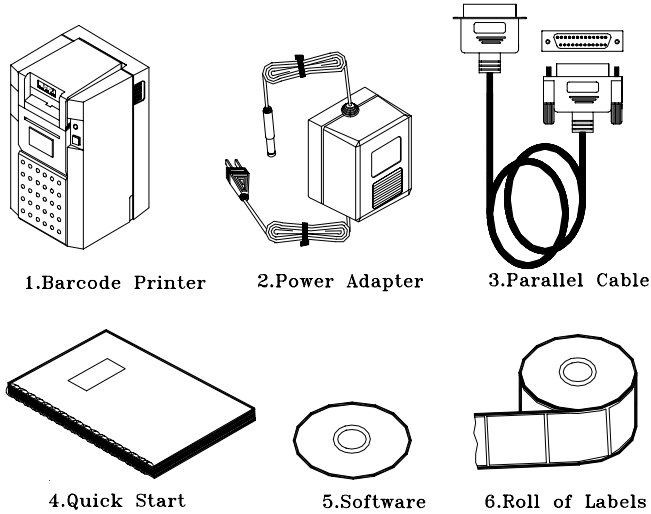


Fig. 1.4.1

Please check the contents of the packet as attached.

1-5. BZB Printer Parts

Using the following diagram to familiarize yourself with the features and components of the BZB-2 BZB-4 printer (see figure 1.5.1).

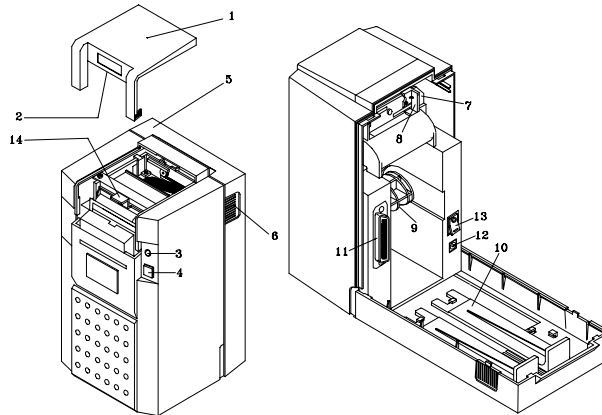


Fig. 1.5.1

Item	Parts	Description
1.	Front cover	Protect the printer head of the unit.
2.	Label tear line	Sharp edge is used to tear off printed label
3.	Power light	Indicate whether the power is on or off.
4.	Feed button	Manually feed labels or adjust label position.
5.	Rear cover	Protect the roller and labels.
6.	Lock switch	Lock the rear cover.
7.	Printer mechanism	The engine of the printer.
8.	Label guide	Label guide
9.	Label spindle hole	To locate the label roller in position
10.	Stands for big roll of label	The big label roll holder stands
11.	Parallel printer connector	The printer port connector
12.	Power jack	Connect the power cord to the unit
13.	Power switch	Turn printer power on/off

Item	Parts	Description
14	Print head release level	To release label or adjust the label position.

2. Setting up the BZB Printer

2-1. Connecting the Printer to a Power Outlet.

1. Plug the power cord into a power outlet.
2. Plug the AC adapter cable into the power jack at the rear of the BZB printer
3. Turn the BZB printer on by pressing the power switch.
4. The LED on the printer will turn red.
5. Proceed to 2-2 Loading your BZB printer with Labels.

2-2. Connecting the Printer to a PC

1. Be sure the printer is powered off.
2. Plug the power adapter into the printer power jack.
3. Connect the printer to the parallel interface on the PC (with the cable provided)
4. Power on. The LED light will be red (no label) or green.

2-3. Loading the BZB Printer with Labels

Loading small-size label roll

1. Power on.
2. Press the two lock switches (part 6) and lift **up** a little to open the rear cover (see figure 2.3.1).

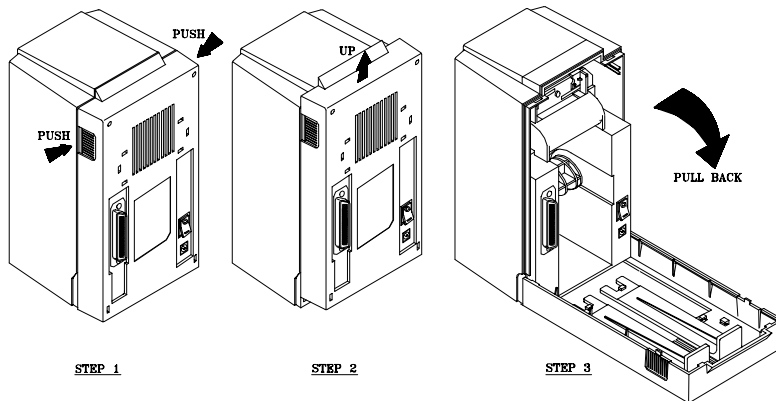


Fig. 2.3.1

3. Insert a small-size label roll onto the core shaft (see figure 2.3.2).
4. Place the roll into the groove.
5. Insert the edge of labels into the label guide, until the edge is blocked by the printhead.
6. Press feed button to drive the label (under the printhead) into the printer.

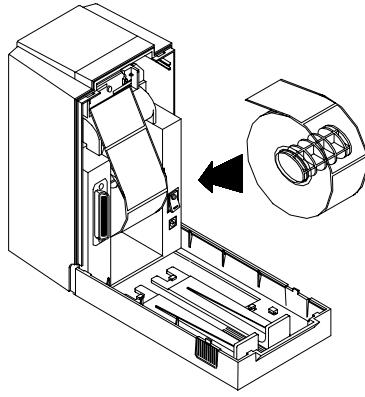


Fig. 2.3.2

Loading large-size label roll

1. Power on.
2. Press the two lock switches (part 6) and lift **up** a little to open the rear cover. (See figure 2.3.1)
3. Remove the label roll stands. Vertically place the two stands along the left and right sides Of the rear cover.
4. Place the large-size label roll on the stands (see figure 2.3.3).
5. Insert the edge of labels into the label guide, until the edge is blocked by the printhead.
6. Press feed button to drive the label (under the printhead) into the printer.

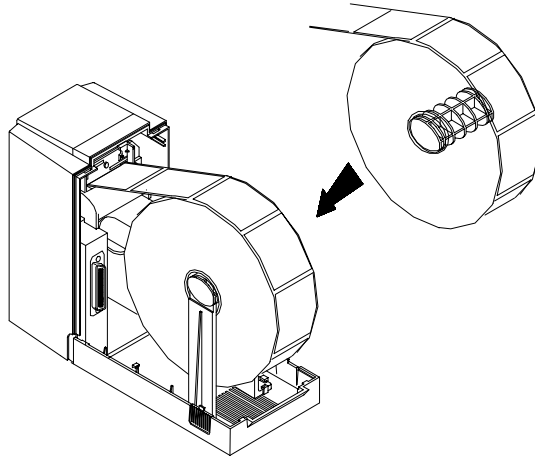


Fig. 2.3.3

2-4. Testing the BZB Printer

The self-test function helps you check if the printer works normally.
To start the self-test function; please follow these steps.

1. Load the label.(As described in 2-3)
2. Power the Printer OFF (Wait 2 seconds)
3. Hold down the feed key and Power the Printer ON.
4. Release the feed button. Wait a few seconds, the printer will print the self-test.

Note: To Disable the Self-test, please power off the printer at least 2 seconds, than power on again.
--

3. Maintenance and Adjustments

3-1. How to remove the BZB top cover

1. Face the front side of the printer. Place your thumbs on the top cover and the other fingers on the left and right sides of the printer.
2. Gently press down the top cover with your thumbs, and pull it toward you to remove the top cover. (See figure 3.1.1 & 3.1.2)

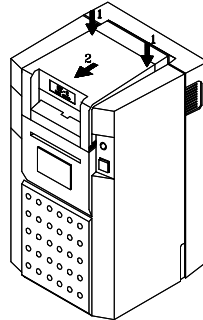


fig. 3.1.1

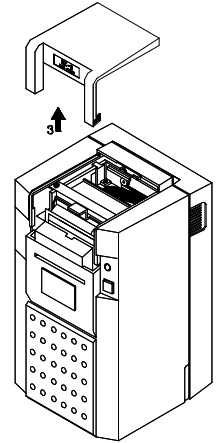


fig. 3.1.2

3-2. How to clean the BZB printer head

1. Remove the top cover.
2. Press your pointing finger on "A", move out the two plastic fasteners from the retainer, and you can take out the retainer and the print head unit. (see figure 3.2.1)
3. Use soft cloth soaked in isopropyl alcohol, to rub off caught labels and cleans the surface. Reinstall the fasteners and retainer.

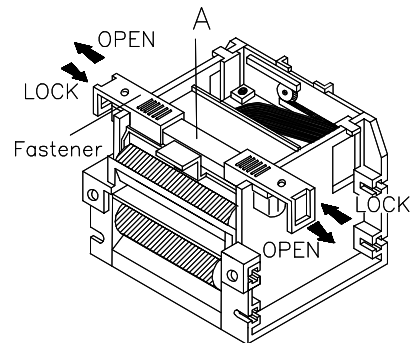


fig. 3.2.1

3-3. How to clear a label jam in the BZB Printer

1. Power off the printer.
2. Remove the top cover and back cover.
3. Remove label roll.
4. Close the two label guides the way as figure 3.3.1(1).
5. Make apart the two retaining clips from the assembly, by gently pressing the clips the direction as figure 3.3.1(2), and afterward by lifting them a little.
6. Lift the guide board the direction as figure 3.3.1(3).
7. Clean, with alcoholic cloth, the label jam on the bottom of the assembly.
8. Reassemble the printer

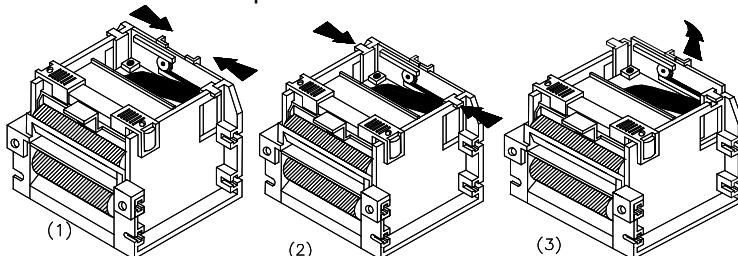


Fig. 3.3.1

3-4. Label gap sensor adjustment for the BZB printer

Due to different quality labels available it may be necessary to make an adjustment to the label gap sensor for detecting the label gap

Any adjustment must be made in well light room.

1. Remove top cover.
2. The top view shows the circuit board as indicated on figure 3.4.1. The Variable Resistor (VR) can be adjusted the ways either counter-clockwise for lower transmit power (less sensitivity) or clockwise for higher transmit power (higher sensitivity). Each slight adjustment of the VR has to be verified by pressing the feed button at least 7 times.

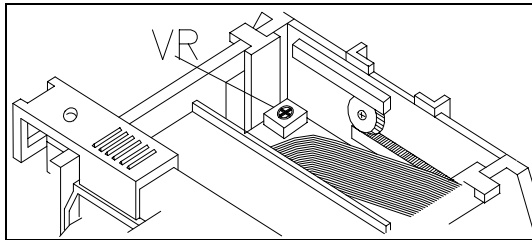
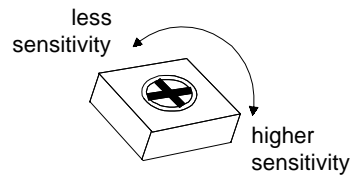


Fig. 3.4.1



Thermal Labels

1. Remove the label from the backing paper. Load the backing paper under the sensor.
2. Slowly adjust the Variable resistor and press the label feed switch successively (at least 7 times), until the LED light turns red.
3. Put the label with backing paper under the sensor, and then press feed button a few times. If the LED light turns green, you have finished the adjustment. If the LED light is red, repeat step 2 and 3 until the LED light turns green.

Appendix A. Troubleshooting

Problems	Recommended Solution
Power switch already turned on but the LED does not light.	<ul style="list-style-type: none"> • Check Power connector.
Printing stops and LED goes red.	<ul style="list-style-type: none"> • Probably software setting or programming problem. • Check to use the correct paper • Probably label jam, remove the stuck label
Printer is working but nothing is printed on label.	<ul style="list-style-type: none"> • Check the label is facing up and the paper you use is thermal paper. • Check to choose the correct printer driver. • Make sure to choose the correct model of printer on platen.
Label is stuck	<ul style="list-style-type: none"> • Remove the stuck label and use soft cloth soaked with alcohol to clean the adhesive glue.
Only part of the label got printed	<ul style="list-style-type: none"> • Label is stuck on print head. • Probably software problem • Margins are not set properly • Printer head is not fixed in proper position, re-positioning printer head screws or clipper
Difficult to load label roll	<ul style="list-style-type: none"> • Check if the label stuck on printer. • Remove the stuck label. • Make sure the width and thickness of label is within the specification.
When printing out, some dots missing	<ul style="list-style-type: none"> • Clean printer head with alcohol. (If the label glue is attached to printer head, please apply alcohol to printer head; wipe with soft cloth softly.) • Replace printer head for possible damage.
Printing is not in the correct position	<ul style="list-style-type: none"> • Check the Label Transmit Sensor, it may be covered with dust. • Check with your label supplier; make sure they have used the recommended backing material. • Adjust the label transmit sensor if you are an experienced printer user. • Check the label guide, it may not be in the proper position.
Label printing jumps to next label	<ul style="list-style-type: none"> • Check if the label height setting is the same as actual label height. • Check the Label Transmit sensor, it may be covered with dust.
Printing is not very clear	<ul style="list-style-type: none"> • Check the printer darkness setting.

Please call your agent for help if the above information can not help you.

Appendix B. BZB Technical Specification

Printer model description:

BZB-2	2" inch print width direct thermal label printer
BZB-4	4" inch print width direct thermal label printer

Printer Specifications:

	BZB-2	BZB-4
Print method	Direct thermal	
Max. paper width	2.36" (60 mm)	4.64" (118 mm)
Max. printing width	2.20" (56 mm)	4.09" (104 mm)
Max. print speed	2" per second (50.8 mm/Sec)	
Dot density	203 dots per inch (8 dots per mm)	
Power requirement	AC 13.5V ~ 16.0V; 4A ~ 5A. DC 18.0V ~ 24.0V; 4A ~ 5A	
Sensor type	Label gap-sizing detector.	
Print head life	50K meters printing distance when apply on Thermal Labels	
Dimension	144 W x 215 H x 127 D mm --- With internal label roll 144 W x 215 H x 320 D mm --- With external label roll	198 W x 215 H x 127 D mm --- With internal label roll 198 W x 215 H x 320 D mm --- With external label roll
Working Environment	Operating Temperature: 40°F to 104°F (5°C to 40°C) Storage Temperature: -40° to 140°F (-40°C to 60°C) Humidity: 10% to 90% non condensing, free air	

Specifications are subject to change without notice.

Appendix C. BZB Parallel Port Specification

Handshake : DSTB to printer and BUSY to host.

Interface cable : DB25 Male (IBM-PC) 36 position parallel printer cable.

Pin out : Tabulated below.

PIN NO.	FUNCTION	TRANSMITTER
1	Strobe	host
2-9	Data 0-7	host
10	N/C	printer
11	Busy	printer
12	Paper empty	printer
13	Select	printer
14-16	N/C	
17	Chassis Ground	
18	N/C	
19-30	Signal Ground	
31	N/C	host
32	Fault	printer
33	Signal	ground
34-36	N/C	